



**SPACE-RAY**  
INFRARED GAS HEATERS

## Emitter Tube Replacement Instructions

Models: RSTP10, RSTP10A

1. Provide safe and secure working platform for good access to burner control box end of heater. **DO NOT USE A LADDER.**
2. Turn off gas and electric supply ahead of heater.
3. Suspend burner end of heater by its angle iron side rails.
4. Disconnect gas line at heater.
5. Remove access panel or top panel of burner control box. Disconnect both wires leading from conduit to spark module inside burner box.
6. Loosen conduit clamp screw on conduit connector.
7. Remove both 5/16" hex head screws holding emitter tube to burner control box.
8. Remove all four 5/16" hex head screws holding burner box to angle iron rails.
9. Slide burner box back and remove from rails.
10. Slide emitter tube out approximately six inches and rotate tube so that guide spline on opposite end of tube can clear the U shaped tube support assemblies.
11. Slide emitter tube out past both tube support assemblies and remove tube completely.
12. Drill out rivet holding turbulator assembly located at end of tube with guide spline.
13. Remove turbulator assembly and insert into new replacement tube at end opposite of the two tube retainer brackets. (Note: New tube assembly does not have a guide spline.)
14. A pre-drilled 13/16" dia. hole is located 1/8" from tube end for securing the turbulator bracket. Secure the turbulator bracket to the tube with a 3/16" stainless steel rivet provided in the kit.
15. Re-assemble heater with new tube in reverse order of Steps 4-11 as above.

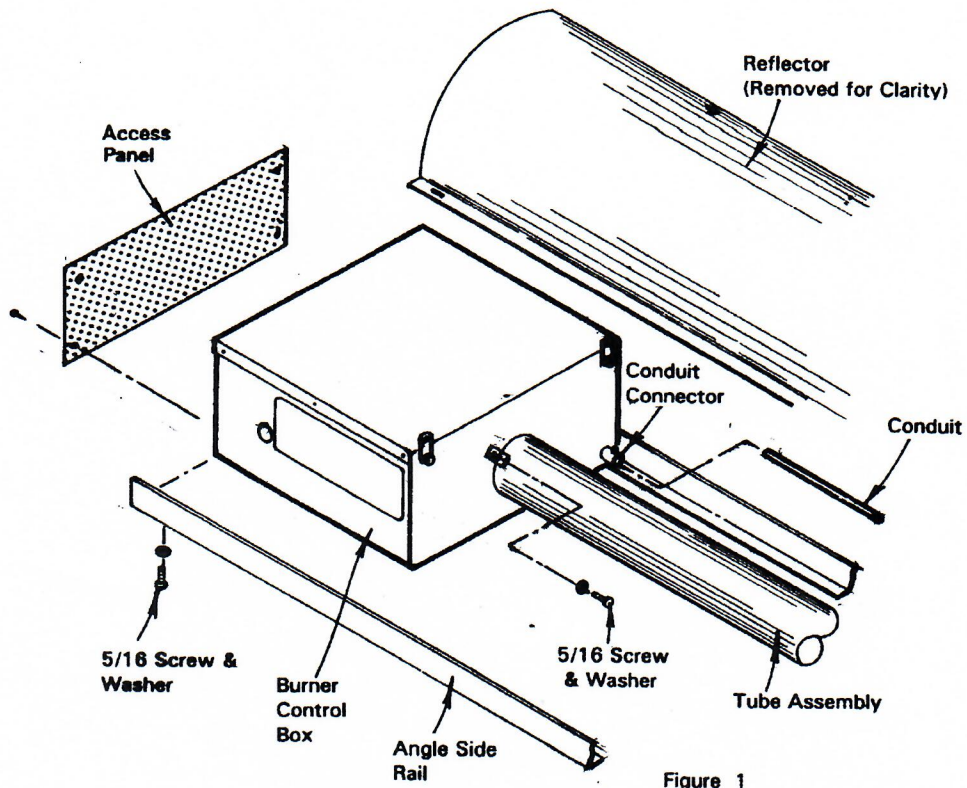


Figure 1

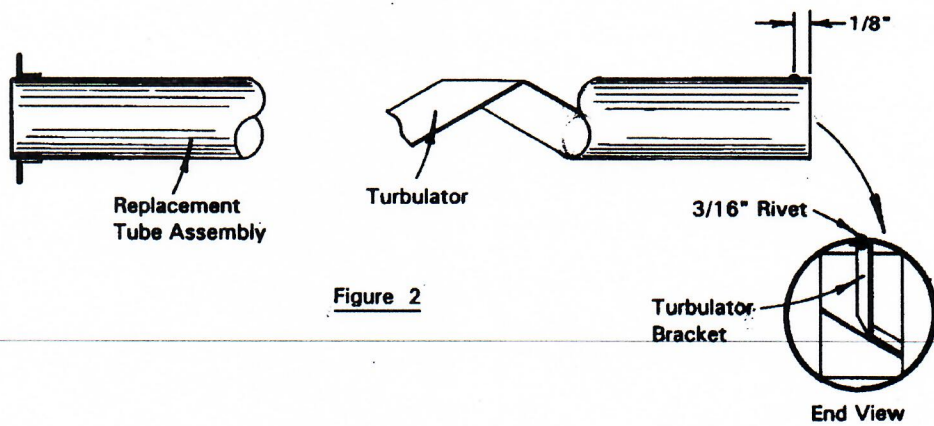


Figure 2

**SPACE-RAY.**

Post Office Box 36485 (28236) • 305 Doggett Street (28203) • Charlotte, North Carolina  
 Phone (704) 372-3485 • Fax (704) 332-5843 • www.spaceray.com • email: info@spaceray.com